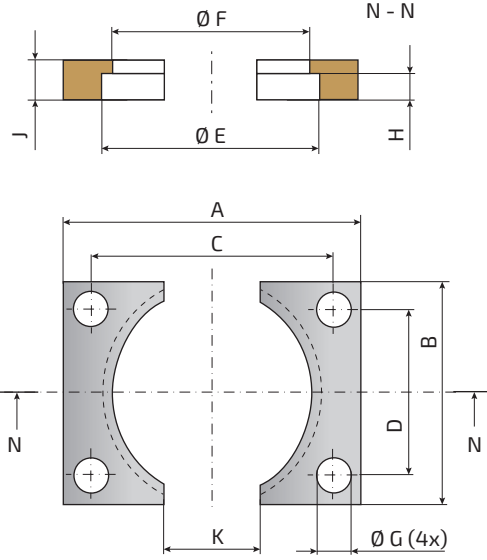


Fixing half-flanges / Yarım flanşar ile montaj



| Model Model | Reference to Standards Referans standart | For models... Modeller için... | A mm | B mm | C mm | D mm | Ø E mm | Ø F mm | Ø G mm | H mm | J mm | K mm |
|----------------|---|-----------------------------------|---------|---------|---------|---------|-----------|-----------|-----------|---------|---------|---------|
| SFA 32 | - | AGS350, IGS150, TGS700 | 50 | 27 | 40 | 18 | 32.5 | 28.5 | 6.6 | 4 | 7 | 20 |
| 38 | - | AGS500, IGS250, TGS1000 | 55 | 33 | 44 | 20 | 38.5 | 34.5 | 6.6 | 4 | 7 | 20 |
| 45 | - | AGS750, IGS500, LGS500 | 70 | 40 | 57 | 27 | 45.5 | 41.5 | 9 | 4 | 7 | 25 |
| 50 | - | AGS1000, IGS750, TGS2000 | 75 | 45 | 62 | 32 | 50.5 | 44.5 | 9 | 8 | 12 | 25 |
| 63 | - | AGS1500, TGS3000 | 85 | 58 | 69 | 42 | 63.5 | 57.5 | 11 | 8 | 12 | 30 |
| 75 | - | AGS2400, IGS1500, TGS5000 | 100 | 70 | 84 | 54 | 75.5 | 68.5 | 11 | 8 | 12 | 30 |
| 95 | - | AGS4200, IGS3000, TGS8000 | 120 | 90 | 100 | 70 | 95.5 | 88.5 | 13.5 | 8 | 12 | 40 |
| 120 | - | AGS6600, IGS5000, TGS12000 | 140 | 115 | 120 | 95 | 120.5 | 113.5 | 13.5 | 8 | 12 | 50 |
| 150 | - | AGS9500, IGS7500 | 190 | 145 | 165 | 120 | 150.5 | 143.5 | 17.5 | 8 | 12 | 60 |
| 195 | - | AGS20000, IGS10000 | 210 | 190 | 185 | 165 | 195.5 | 188 | 17.5 | 8 | 13 | 80 |

Fixing possibilities / Montaj olasılıkları

